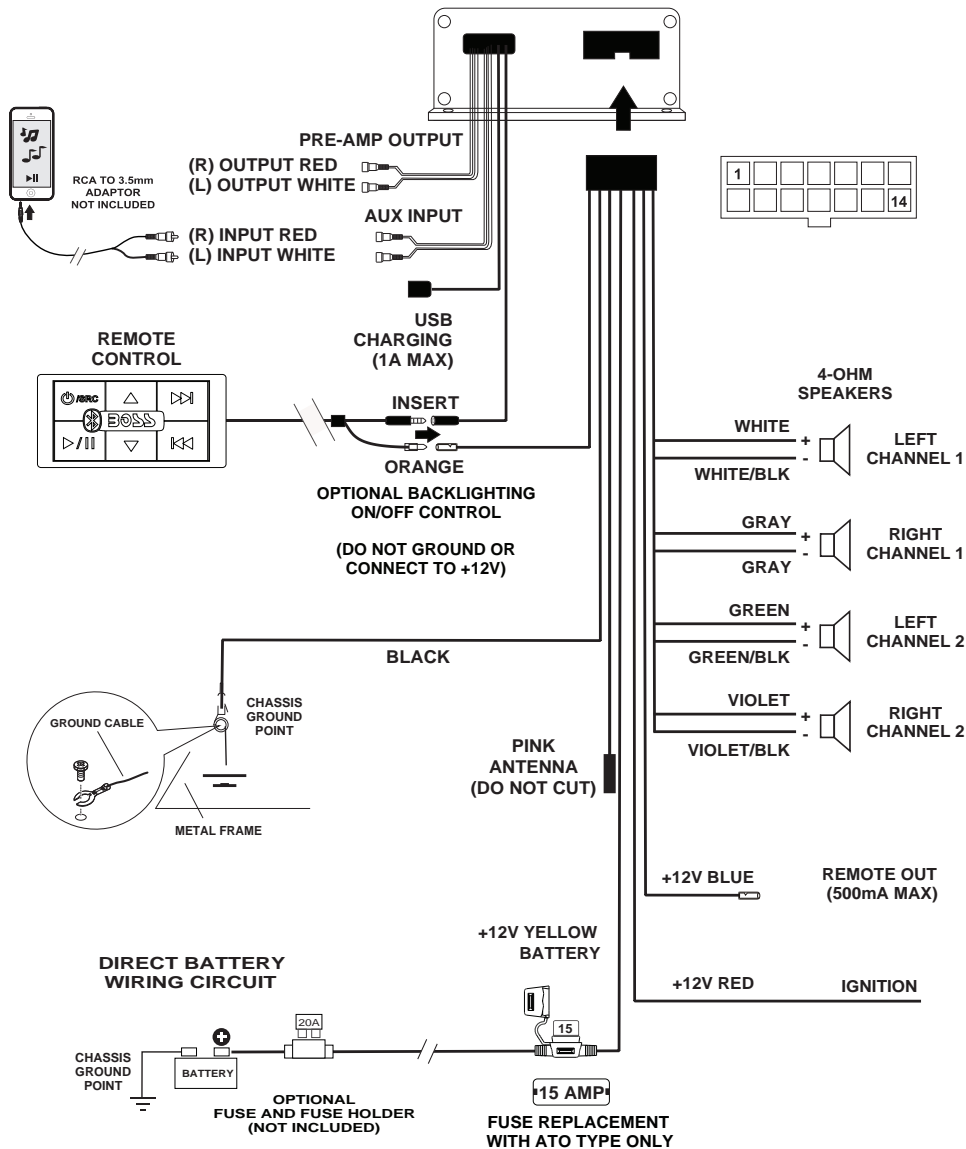
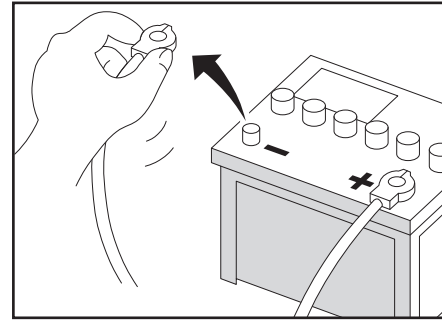


# WIRE DIAGRAM



**CAUTION!!** Do not ground or short the PINK antenna wire

# BEFORE INSTALLING THIS PRODUCT



To avoid potential shorts in the electrical system, be sure to disconnect the (-) battery cable before installation. Use this unit with a 12-volt battery and negative grounding only. Failure to do so may result in a fire or malfunction.



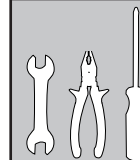
When replacing the fuse, be sure to only use a fuse of the rating specified on this product.

To avoid short-circuiting, cover any disconnected leads with insulating tape. It is especially important to insulate any unused wires, which if left uncovered may cause a short circuit. When connecting other devices to this product, refer to the manual for the product to be connected. The black cable is ground, make sure to connect the ground wire first.

Ensure that the ground cable is properly connected to metal parts of the vehicles body frame or direct to the battery if your vehicle does not have a grounded chassis frame. The ground cable of this units power amp and a second powered system must be connected to the frame separately with different screws. If the screw for the ground wire loosens or falls out, it could result in fire or malfunction.

## TECHNICAL SUPPORT

1-800-999-1236  
www.bossaudio.com/support



### TOOLS NEEDED:

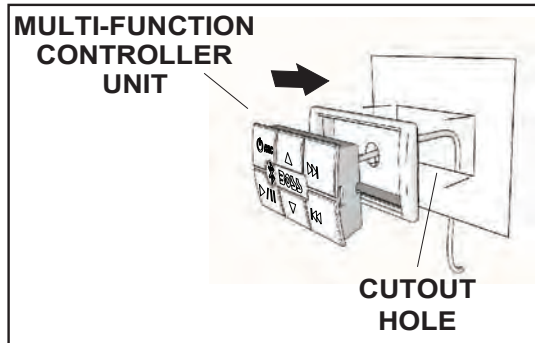
- Wrench and/or Pliers
- #2 Phillips screwdriver
- Crimp tool
- Electrical tape

## SUGGESTED MOUNTING METHODS

The MC900B can be mounted in three different configurations:

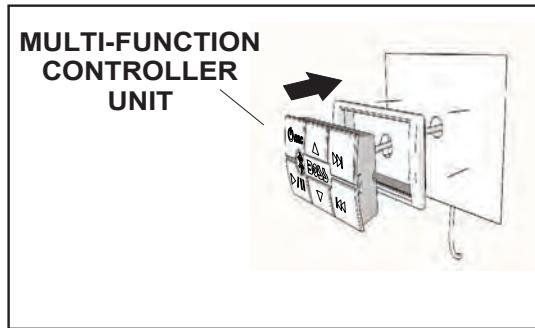
### 1 FLUSH MOUNT

The flush mount quick mount bezel requires no screws, use cutout dimensions: 3-3/16" W x 1-11/16" H (82mm x 43mm)



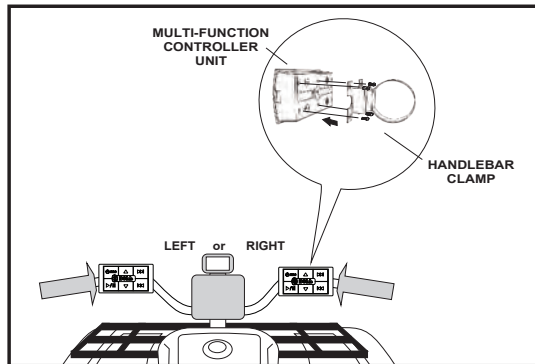
### 2 SURFACE MOUNT

The flush mount bezel has two recessed screw holes to facilitate the included two oval-head screws.



### 3 HANDLEBAR MOUNT

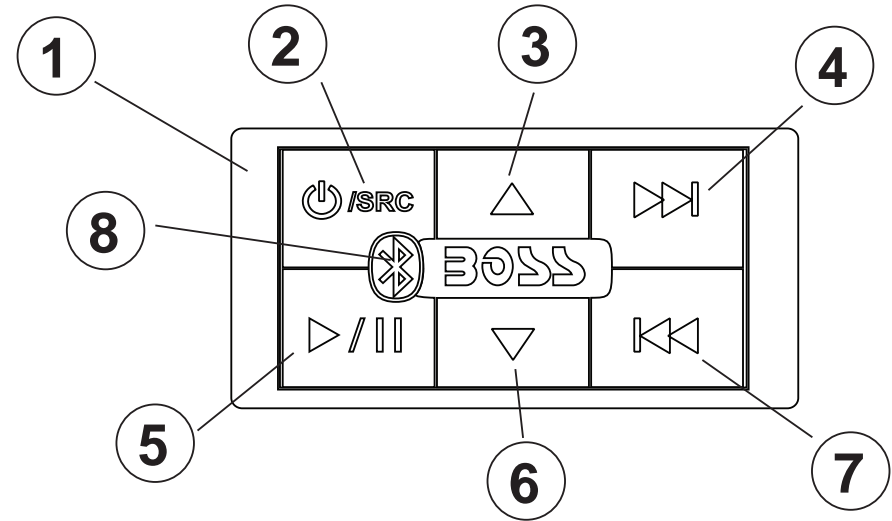
Use provided pan-head screws and stainless steel clamp, there are three mounting variations to secure the stainless steel clamp, try the best one for your application, securely tighten the stainless clamp to fit your application.



**Tips:** To release the *MC900B* controller from the mounting bezel, insert a small jewellers screwdriver into the left / right slots of the bezel.

## GETTING STARTED

### GETTING TO KNOW YOUR MC900B MULTIFUNCTION CONTROLLER (MFC)



- 1 MFC - MULTIFUNCTION CONTROLLER
- 2 POWER / SOURCE - RED = AUX-IN MODE / BLUE = BT MODE
- 3 VOLUME UP
- 4 NEXT TRACK / FAST FORWARD
- 5 PLAY/PAUSE
- 6 VOLUME DOWN
- 7 PREVIOUS TRACK / FAST REWIND
- 8 BLUETOOTH PAIRING INDICATOR - BLUE COLOR